

REVISIONS		DWG. NO.	75-T-FB	SHEET	REV
ZONE	REV	DESCRIPTION	DATE	1	B
	A	ECN #0220	1-8-99		MEV
	B	ADD PEAK PWR SPEC/ECO 12203 DMR	6-18-04		MEV

**SPECIFICATIONS:**

POWER RATING: 75 W MAX. @ 40°C.  
90 W MAX. @ 25°C.

PEAK POWER RATING: 2.5kW

PULSE WIDTH NOT TO EXCEED 4 mS

DUTY CYCLE NOT TO EXCEED AVERAGE POWER RATING

FREQUENCY RANGE & VSWR:

DC TO 1GHz AT 1.10:1 MAX.

1GHz TO 4GHz AT 1.25:1 MAX.

IMPEDANCE: 50 OHMS, NOMINAL

AMBIENT TEMPERATURE RANGE: -40°C TO +40°C

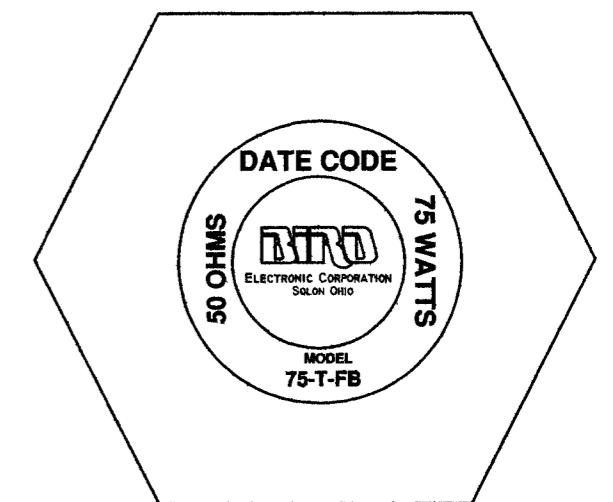
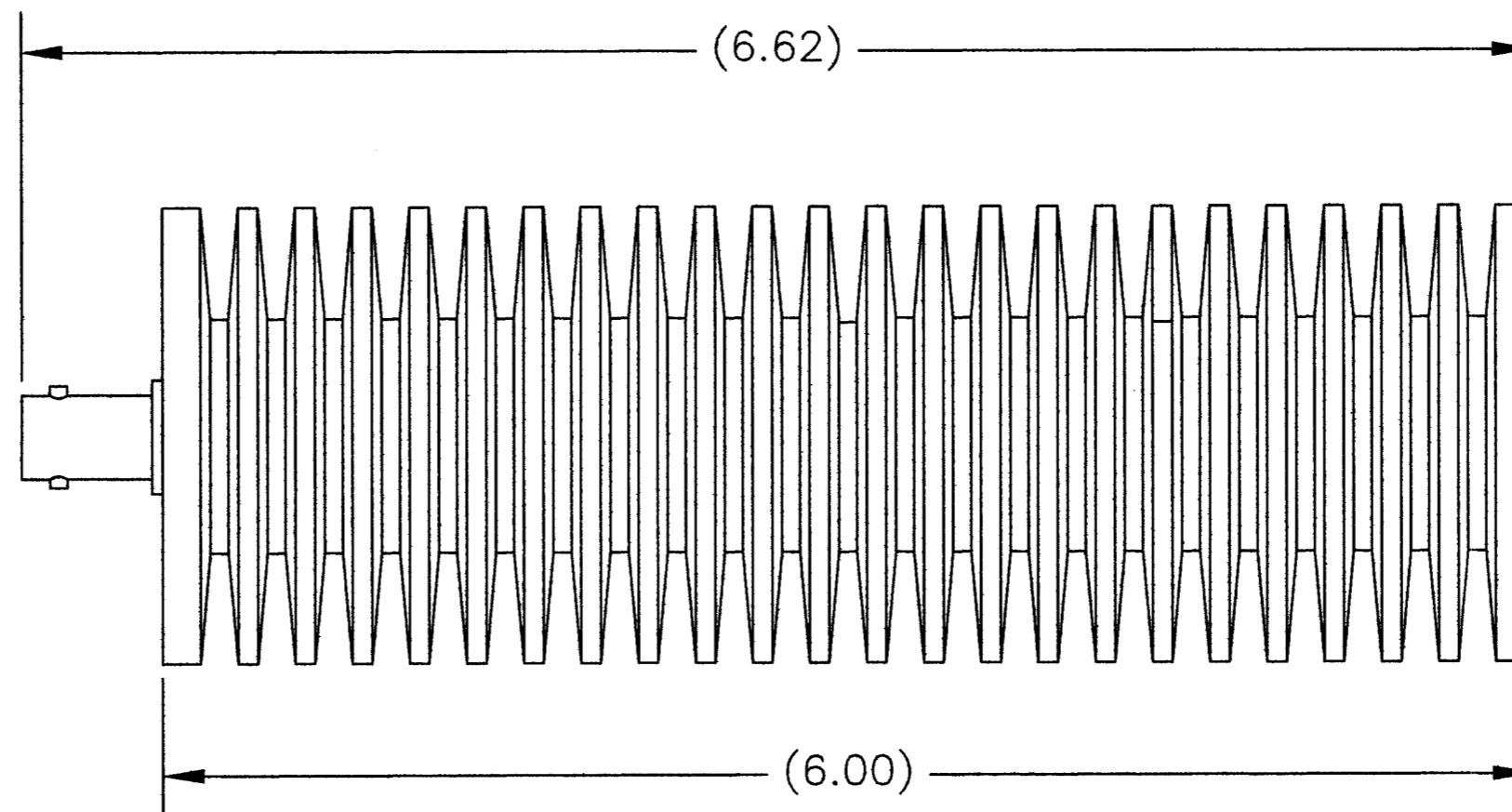
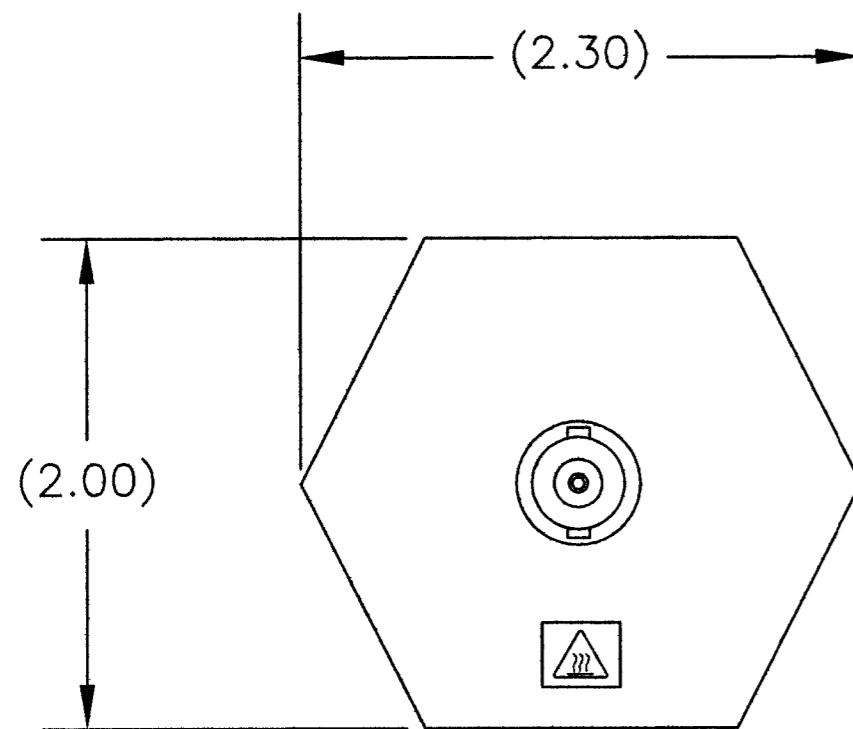
CONNECTOR: BNC FEMALE (TRI-ALLOY PLATED)

OPERATING POSITION: ANY (CONVECTION COOLED)

FINISH: BLACK ANODIZED

NOMINAL SIZE: APPROX. 6.615" L X Ø2.3"

WEIGHT: APPROX. 1.32 LBS



**NOTES:**

- ☒ 1. PART MUST BE BURR FREE.
- ☒ 2. CHAMFER 1st THREAD.
- ☒ 3. 63 MICROINCH UNLESS OTHERWISE SPECIFIED.
- ☐ 4. PER BPS \_\_\_\_\_.
- ☒ 5. .005 RADIUS ON ALL INSIDE & OUTSIDE CORNERS UNLESS OTHERWISE SPECIFIED.

DIMENSIONS HEREON ARE FOR CUSTOMER CONVENIENCE AND REFERENCE ONLY. TOLERANCE TO BE APPLIED ONLY WHERE INDIVIDUALLY STATED ON THE RESPECTIVE DIMENSION. -DO NOT SCALE DRAWING-		THIS DRAWING IS THE PROPERTY OF THE BIRD ELECTRONIC CORPORATION. THE DESIGNS AND SPECIFICATIONS DISCLOSED HEREON ARE PROPRIETARY AND SHALL NOT BE REPRODUCED, NOR COPIED, NOR USED AS THE BASIS FOR THE MANUFACTURE OR SALE OF APPARATUS OR DEVICES WITHOUT THEIR EXPRESS WRITTEN CONSENT.			
APPROVALS DRAWN: DMD CHECKED: _____ APPROVED: <i>W. LACK V</i>		DATE 6-14-04		TITLE TERMINATION, CONVECTION COOLED BNC FEMALE, 75W	
MATERIAL FINISH		SCALE 1:1		SIZE FSCM NO. 70998 DWG. NO. 75-T-FB COMM CODE LD1 SHEET 1 OF 1	